

# NCG-3xxx

IP-Gigabit-Ethernet-Flächenkamera  
NCG-3xxx-Serie Monochrom / Farbe

IP Gigabit Ethernet Area Scan Camera  
NCG-3xxx series monochrome / color



## Technische Beschreibung / Specification

**Schutzart / Protection** IP65 inkl. Optik-Tubus / IP65 incl. lens tube

**Optikadapter / Optical interface** C-Mount

**Spannungsversorgung / Voltage feed**

- via Power and Process Interface (extern / external)
- via Data Interface (PoE)

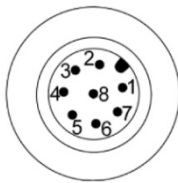
**Data Interface** M12-Buchse, X-codiert, 8-polig / M12 female conn., X-coded, 8 pole  
Gigabit-Ethernet-Anschluss mit PoE: Daten und Steuerung / Gigabit Ethernet connection: data and control interface



Pin Belegung / Pin assignment:

- |          |          |          |
|----------|----------|----------|
| 1 – MX1+ | 4 – MX2- | 7 – MX3- |
| 2 – MX1- | 5 – MX4+ | 8 – MX3+ |
| 3 – MX2+ | 6 – MX4- |          |

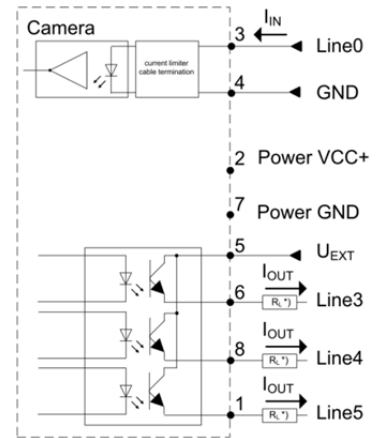
**Power and Process Interface** M12-Stecker, A-codiert, 8-polig / M12 male conn., A-coded, 8 pole  
Spannungsversorgung, Trigger, Blitz / voltage feed, trigger, flash



wire colours for KAB-SG-M12-8p-Bu\_NCG/XX

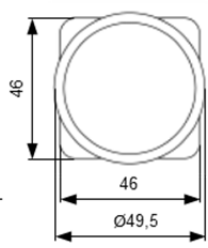
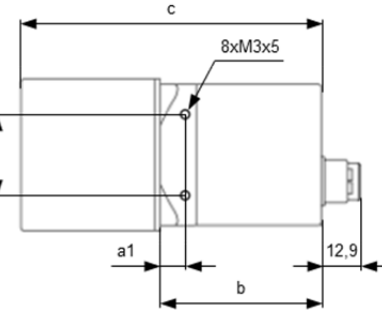
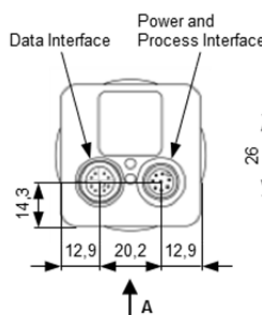
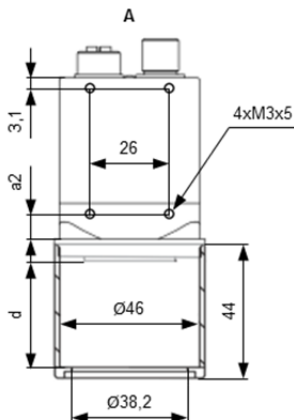
Pin-Belegung / Pin assignment:

- 1 - OUT 3 (white)
- 2 - Power VCC+ (brown)
- 3 - IN1 (green)
- 4 - IO GND (yellow)
- 5 - IO Power VCC (grey)
- 6 - OUT 1 (pink)
- 7 - Power GND (blue)
- 8 - OUT 2 (red)



**Gewicht / Weight** 220 g inkl. Optik-Tubus / 220 g incl. lens tube

## Technische Zeichnung / Technical drawing



	a1, a2	b	c	d
NCG-323	7,3	51,9	97,7	36,7
all other	8,3	52,9	98,7	35,0

Variantenübersicht / Variants overview								
	NCG-312M.I	NCG-312C.I	NCG-320M.I	NCG-320C.I	NCG-323M.I	NCG-323C.I	NCG-340M.I	NCG-340C.I
<b>Chip / Sensor</b> Shutter / <i>Shutter</i> Größe / <i>Scan area</i> Pixelgröße / <i>Pixel size</i>	1/3" progressive scan CCD global 4,83 mm x 3,60 mm 3,75 µm x 3,75 µm monochrome   color		1/1,8" progressive scan CCD global 7,14 mm x 5,40 mm 4,4 µm x 4,4 µm monochrome   color		1/1,2" progressive scan CMOS global 11,25 mm x 7,03 mm 5,86 µm x 5,86 µm monochrome   color		1" progressive scan CMOS global 11,22 mm x 11,24 mm 5,5 µm x 5,5 µm monochrome   color	
<b>Auflösung / Resolution</b>	1288 x 960 pixels		1624 x 1228 pixels		1920 x 1200 pixels		2040 x 2044 pixels	
<b>Bildwechselfrequenz / Frame rate</b>	42 fps Full Frame		27 fps Full Frame		53 fps Full Frame		29 fps Full Frame	
<b>Belichtungszeit / Exposure time</b>	4 µs ... 60 s		4 µs ... 60 s		45 µs ... 60 s		20 µs ... 1 s	
<b>Verstärkungsfaktor / Gain</b>	0 ... 29 dB		0 ... 29 dB		0 ... 48 dB		0 ... 18 dB	
<b>Partial Scan</b>	✓		✓		✓		✓	
<b>Binning horizontal / vertical 1/2</b>	✓		✓		✓		✓	
<b>Farbmodelle / Color models</b>	Mono	RGB, YUV, Mono	Mono	RGB, YUV, Mono	Mono	RGB, YUV, Mono	Mono	RGB, YUV, Mono
<b>Farbanpassungen / Color processing and adjustment</b>	-	✓	-	✓	-	✓	-	✓
<b>Elektrische Daten / Electrical data</b> Extern / external PoE	U: 24 V DC, I: 150 mA, P: 3,6 W U: 48 V DC, I: 80 mA, P: 3,8 W		U: 24 V DC, I: 179 mA, P: 4,3 W U: 48 V DC, I: 98 mA, P: 4,7 W		U: 24 V DC, I: 146 mA, P: 3,5 W U: 48 V DC, I: 79 mA, P: 3,8 W		U: 24 V DC, I: 150 mA, P: 3,6 W U: 48 V DC, I: 80 mA, P: 3,8 W	
<b>External Trigger</b>	U <sub>IN(low)</sub> : 0,0 ... 4,5 V DC, U <sub>IN(high)</sub> : 11 ... 30 V DC, min. pulse length: 2,0 µs							
<b>Flash-Output</b>	U <sub>EXT</sub> : 5 ... 30 V DC, I <sub>OUT</sub> : max. 50 mA							